



# Islander

Follow us @CityofSIB |     YouTube

DECEMBER 2021

## A MESSAGE FROM THE City

“ As we wrap up another year, we want to acknowledge our incredible Sunny Isles Beach team. Throughout 2021, they were thrown a barrage of challenges, but the year was also teeming with successes and accomplishments. ”

Gateway Center, our new recreation and rental facility, opened in July, marking a historic accomplishment for not only our Cultural and Community Services department, but the many other departments who assisted in the planning and execution. The CCS department also debuted a new brand for the City, which includes a new logo, tagline, and mission statement that encompass where we are as a city and position us for future opportunities and growth.

This year, the Building department handled challenges following the tragedy in Surfside. They took immediate action and began conducting special inspections of all buildings over 40 years old, ensuring the structural safety of those buildings in the City. In addition, they proposed a new permit fee structure that makes applying for common, smaller projects more affordable for residents.

The Police department has been working on enhancing community policing and improving safety. They increased their police presence on the

road, began conducting additional high visibility enforcement details, and hosted several public engagement opportunities to listen to resident feedback. Additionally, they completed training on autism response as part of our partnership with the University of Miami-Nova Southeastern University Center for Autism and Related Disabilities program.

Public Works has remained a strong force around our city. This year they replaced the LED lighting in every bus shelter to provide a brighter and safer experience for all bus riders. They also renovated the old Enterprise building next to the Government Center to make office space for the Fleet division, allowing for a more functional work area to bring more maintenance and repairs in house, saving money and time that a vehicle is out of service.

We completed a number of capital projects this year including the Golden Shores streetlighting project, beach renourishment across the entire length of the beach, and the construction of Gateway Center. 2022 will bring great progress to many of our

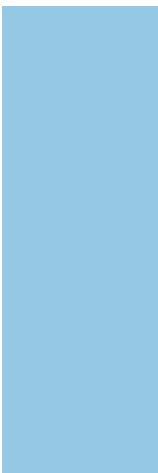
*A Message from the City continued...*

current capital projects, such as the Golden Shores undergrounding project, the continuation of the Collins Avenue utility undergrounding project, the Central Island Stormwater project, and additional traffic and pedestrian safety initiatives

Human Resources managed an internal classification and compensation study for the City, where they worked with an outside company to review how we pay employees performing similar jobs and recommend appropriate job titles, job descriptions, and competitive salaries. The IT department continued to make upgrades and enhancements

to our infrastructure, improving availability of network, server and digital services to city employees and residents. Our Finance department completed the FY 2021-2022 annual budget, and the City Clerk's office conducted two special elections and is in the process of planning a third special election in January for Commission seats 1 and 3.

We are optimistic that 2022 will be successful and prosperous for Sunny Isles Beach thanks to our dedicated City staff and elected officials. From all of us at the City of Sunny Isles Beach, we wish you a joyous, safe, and festive New Year.



# A Look Back at 2021

Vice Mayor Jeniffer Viscarra

As 2021 comes to an end, I want to wish all our residents a very happy and safe holiday season. For Sunny Isles Beach, 2021 was a year marked with surprises and tragedy.

As for surprises, the biggest was former Mayor Bud Scholl's resignation, which left us with a four-person commission for about two months and, due to the run-off election, with a two-person commission (Commissioner Lama and myself) for two weeks. There were some challenges, but we managed and now Sunny Isles Beach has its first duly elected woman mayor. Two vacant commission seats must still be filled, so the campaigning will continue until January 2022. Please stay tuned; stay engaged. And, most importantly, remember that not everyone will agree with us. That should not surprise us nor lead to personal attacks on residents or the candidates' children or families.

The great tragedy of 2021 was the fatal accident involving 11-year-old Anthony Reznick. Anthony's accident sparked new legislation to create the Anthony Reznick Act, which aims to revise the definition of the term "aggressive careless driving" so that there are civil and criminal penalties. Rep. Vance Aloupis filed [SB 476: Aggressive Careless Driving](#) in the Florida House, and Sunny Isles Beach resident Sen. Jason Pizzo filed [HB 297: Aggressive Driving](#) in the Florida Senate. Residents can help support the legislation and, by extension, Anthony's family by emailing [Rep. Vance Aloupis](#) and [Sen. Jason Pizzo](#) and expressing your approval. If you need help writing your letter or email, I will be happy to assist you.



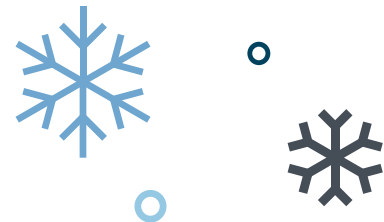
Contact Vice Mayor Jeniffer Viscarra at [seat4@sibfl.net](mailto:seat4@sibfl.net) or at [305.792.1750](tel:305.792.1750).

## INSIDE THE *Isles*

The City of Sunny Isles Beach is making this December a season to remember! In preparation for the holiday season, City staff has decorated our community with dazzling lights and sparkling décor at our parks, on our streets, and inside our facilities. Now, Sunny Isles Beach will shine just as bright at night as it does during the day!

We'd love to see your favorite family or selfie poses! Don't forget to tag us in your holiday memories, @CityofSIB.

## LIGHTING UP THE HOLIDAYS



# CALENDAR OF EVENTS

## DECEMBER

### Mount Sinai Lecture: Prevention and Early Detection of Women's Cancer: What Every Woman Should Know

**Thursday, December 2**  
**11 AM - 12 PM**

Gateway Center, 151 Sunny Isles Blvd.  
Light lunch provided after lecture.  
Pre-registration required.

### Winter Fest

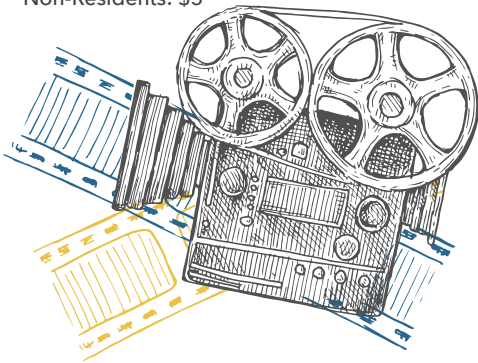
**Saturday, December 4**  
**5 - 9 PM**

Gateway Park, 151 Sunny Isles Blvd.  
See complete event details on page 6.

### Golden Era Movie: Scrooge

**Tuesday, December 7 | 10 AM - 1 PM**

Gateway Center, 151 Sunny Isles Blvd.  
Residents: FREE  
Non-Residents: \$5



### Bingo

**Wednesday | 3 - 4 PM**

December 8 & 22  
Gateway Center, 151 Sunny Isles Blvd.

### Blood Pressure & Glucose Screening

**Friday, December 10 | 9 AM - 12 PM**

Gateway Center, 151 Sunny Isles Blvd.  
Pre-registration required.  
Call [305.792.1706](tel:305.792.1706) to register.

### Teens Only: Movie Night

*Shang-Chi and the Legend of the Ten Rings*

**Friday, December 10**  
**7 - 9 PM | FREE EVENT**

Gateway Center, 151 Sunny Isles Blvd.

### Holiday Concert

**Sunday, December 12**

**6 - 8 PM | FREE EVENT**

Gateway Park, 151 Sunny Isles Blvd.



### Blood Drive

**Thursday, December 16**

**10:30 AM - 5:30 PM**

SIB Government Center,  
18070 Collins Avenue  
Presented by OneBlood.  
Appointments are required.  
Please register at [oneblood.org/donate-now](https://oneblood.org/donate-now).

### Full Moon Yoga

**Saturday, December 18**

**5:15 - 6:15 PM**

Samson Oceanfront Park (on the beach),  
17425 Collins Avenue  
Residents: FREE  
Non-Residents: \$5  
Pre-registration required.

**Thursday, December 23**

City Facilities Close at 1 PM

### City Holiday: Christmas Eve

**Friday, December 24**

City Facilities Closed  
City Shuttle stops running at 12 PM.

### Federal Holiday: Christmas Day

**Saturday, December 25**

City Facilities Closed  
City Shuttle will not run.



**Thursday, December 30**

City Facilities Close at 1 PM

### City Holiday: New Years Eve

**Friday, December 31**

City Facilities Closed  
City Shuttle stops running at 12 PM.

### Federal Holiday: New Year's Day

**Saturday, January 1**

City Facilities Closed  
City Shuttle will not run.



**FOR COMPLETE EVENT  
DETAILS, VISIT**  
[sibfl.net/events](https://sibfl.net/events)

# WINTER BREAK CAMP



Looking for a place where your child can engage in fun activities throughout the winter break?

Kids grades K – 8 are invited to attend this year's Winter Break Camp.

**Resident** \$105 | **Non-Resident** \$160

## **Pelican Community Park**

18115 North Bay Road

Monday – Thursday | 9 AM – 5 PM

**Session I:** 12/20 – 12/23

**Session II:** 12/27 – 12/30

1 Field Trip on Thursday  
*No Lunch provided*

**TO REGISTER ONLINE, VISIT [ACTIVITIES.SIBFL.NET](https://activities.sibfl.net).**

## SPOTLIGHT ON...

# CULTURAL & COMMUNITY SERVICES CUSTOMER RELATIONS

Thank you to the Cultural and Community Services customer relations team for your continued efforts and hard work! Our CCS professionals are always there to greet you with a smile when you walk into a City facility, park, program, or event. The customer relations team works diligently to help answer any questions or inquiries you may have. They are a tremendous asset. They assist with program and event registration and help residents sign up for a resident ID card. We are proud of the exceptional customer service that they provide, going above and beyond for our residents. They truly embody the height of living.

# RESIDENT ID CARDS

Your Sunny Isles Beach Resident ID Card is your FREE, all access pass for a multitude of perks. Receive free gifts, reduced pricing on fun City activities, advanced registration for programs, and free entrance to select events! Several events throughout the year, such as Winter Fest, are also exclusively open to residents with a valid, City-issued Resident ID Card.

As a reminder, ID cards are valid for 1 year and must be renewed annually. So, don't delay or you'll miss out on all the benefits!



**APPLY OR RENEW TODAY!**

Apply online by visiting [sibfl.net/residentid](https://sibfl.net/residentid).



# WINTERFEST



**SATURDAY  
DECEMBER 4  
5 - 9 PM**

**GATEWAY PARK | 151 SUNNY ISLES BLVD**

**OPEN TO RESIDENTS WITH A VALID CITY-ISSUED RESIDENT ID CARD ONLY.**

**LIVE ENTERTAINMENT • PHOTO OPPORTUNITIES  
CRAFTS • PARK LIGHTING CEREMONY • FOOD FOR PURCHASE**

**\$5 General Admission  
Wristband**

*Access to the general event amenities and  
a special treat.*

**\$10 All Access  
Wristband**

*Admission PLUS Ice Skating, Rides  
and Inflatables.*

**PURCHASE WRISTBANDS ONLINE AT  
[ACTIVITIES.SIBFL.NET](https://activities.sibfl.net)**

**WRISTBANDS REQUIRED FOR ADMISSION.  
WRISTBANDS WILL NOT BE SOLD ON SITE. PRE-SALE ONLY.  
SALES END FRIDAY, DECEMBER 3.**



*Islander*

**PUBLISHED BY THE CITY OF SUNNY ISLES BEACH  
CULTURAL & COMMUNITY SERVICES DEPARTMENT**

18115 North Bay Road, Sunny Isles Beach, FL 33160  
[305.792.1706](https://305.792.1706) | [sibfl.net](https://sibfl.net)

